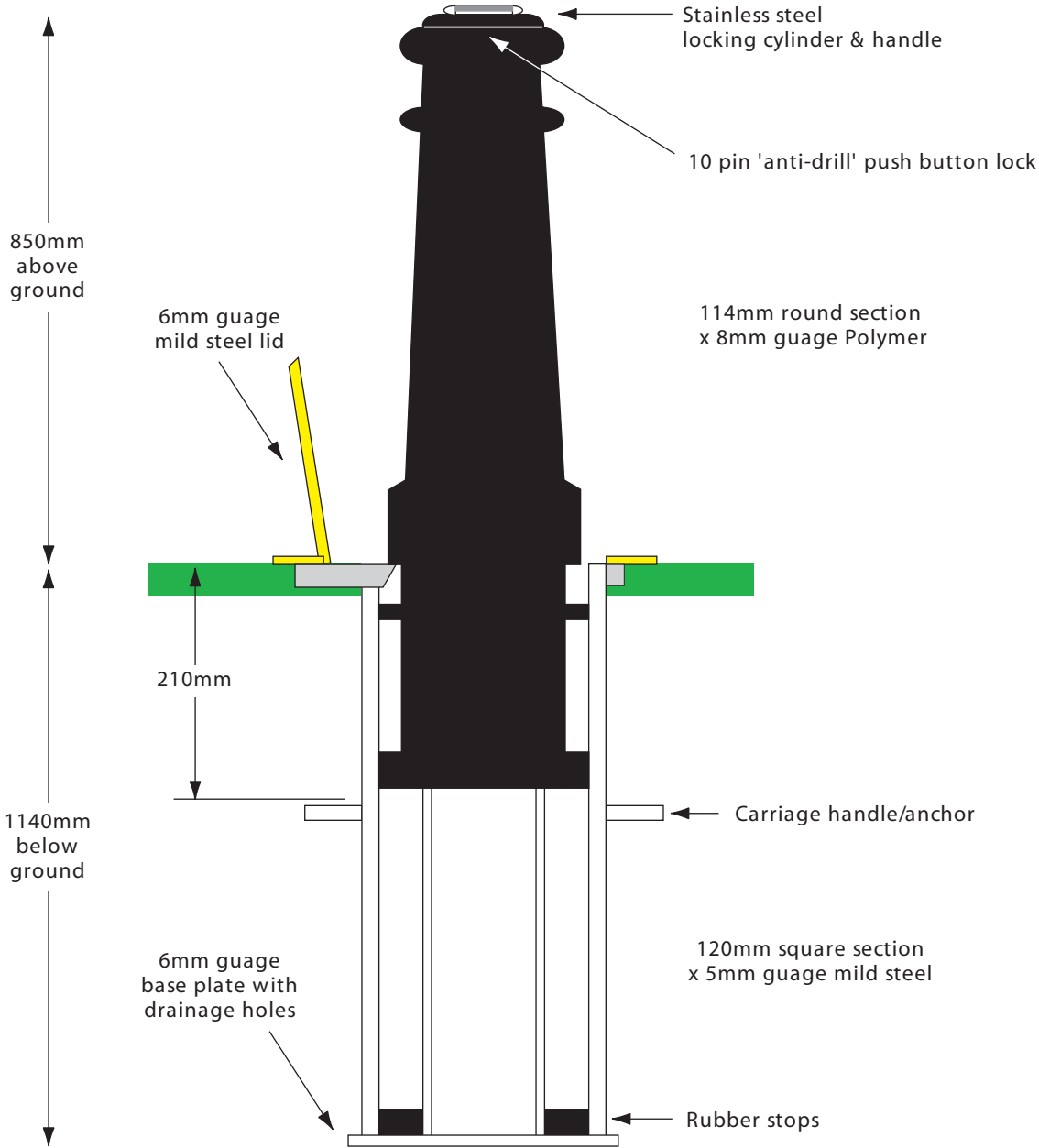


POLYMER POST

RRB/PSU



LIFTING WEIGHT
22KG